



AVERAGE WEIGHT: 50KG



A rounded rectangular box with a black border, filled with a pattern of wavy, horizontal lines representing a river.

RIVER

A rounded rectangular box with a black border, filled with a pattern of irregular, jagged lines and dots representing a rocky cliff.

ROCKY CLIFF

A rounded rectangular box with a black border, filled with a pattern of small, evenly spaced dots representing sand.

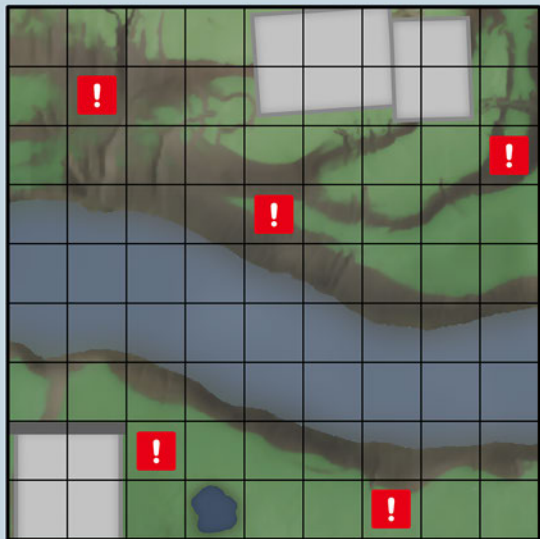
SAND

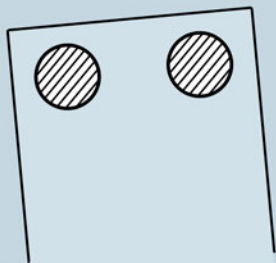
A rounded rectangular box with a black border, filled with a pattern of short, irregular, scattered lines representing clay.

CLAY

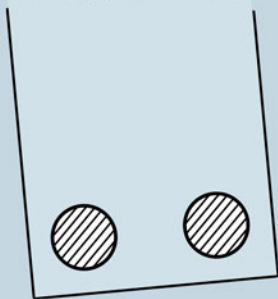
A rounded rectangular box with a black border, filled with a pattern of small, irregular dots and speckles representing bedrock.

BEDROCK

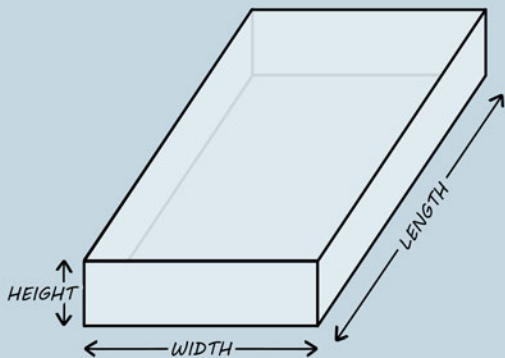




ALL FOUR SUPPORTS
OF THE BRIDGE MUST
BE PLACED ON SAND,
BEDROCK OR CLAY.







$$\begin{aligned} & \text{VOLUME} \\ & \text{(LITRES)} \\ & = \\ & W \times L \times H \times 1,000 \end{aligned}$$